

G3 Interface Unit Type 3045 (B780)

G3 Interface Unit Type 3045 (B780)

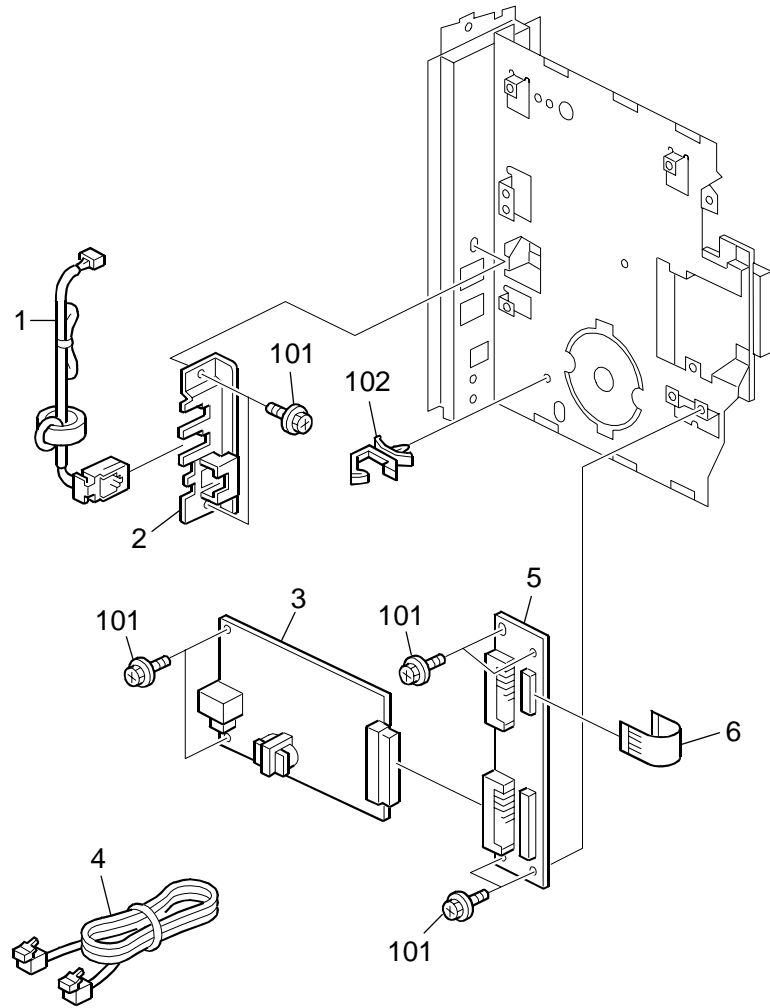
PARTS CATALOG

This catalog gives the numbers and names of parts on this machine.

1.G3Interface Unit (B780)	2
Parts Index	5

July ,10 ' 2005

1.G3Interface Unit (B780)



1.G3Interface Unit (B780)

Index No.	Part No.	Description	Q'ty Per Assembly
1	B780 5274	Harness:G3	1
2	B779 5896	Bracket:Modular:G3	1
3	B713 5172	PCB:Sg3-neo:NA	1
3	B713 5174	PCB:Sg3-neo:Ea	1
4	H523 5350	Telephone Cable	1
5	B712 5190	PCB:Ccuif	1
6	B780 5273	Harness:Fcu-ccu	1

Index No.	Part No.	Description	Q'ty Per Assembly
101	0451 3006N	Tapping Screw - 3x6	
102	1105 0508	Harness Clamp - LWS-0711	

Parts Index

Parts Index

Part No.	Description	Page and Index No.
B780 5273	Harness:Fcu-ccu	3 - 6
B780 5274	Harness:G3	3 - 1

Part No.	Description	Page and Index No.
B712 5190	PCB:Ccuif	3 - 5
B713 5172	PCB:Sg3-neo:NA	3 - 3
B713 5174	PCB:Sg3-neo:Ea	3 - 3
B779 5896	Bracket:Modular:G3	3 - 2
H523 5350	Telephone Cable	3 - 4

Part No.	Description	Page and Index No.
0451 3006N	Tapping Screw - 3x6	3 - 101
1105 0508	Harness Clamp - LWS-0711	3 - 102

Part No.	Description	Page and Index No.
----------	-------------	--------------------